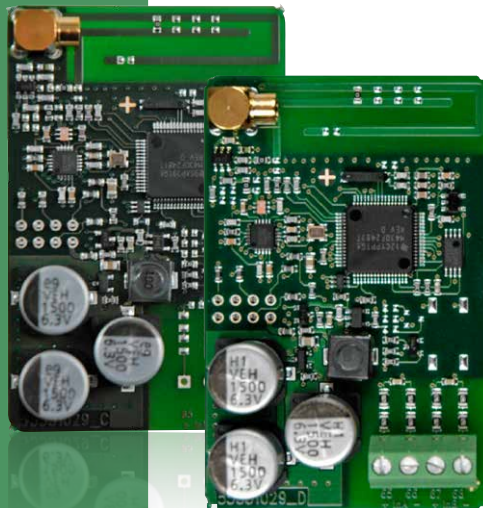


Data sheet

## Wireless M-Bus modules

### C mode for MULTICAL® 402

- Wireless reading every 16 seconds
- Up to 16 years battery lifetime
- Stable and fast reading
- Unlicensed European frequency
- Standardised radio protocol
- Internal antenna and external antenna connection



## Application

---

The Wireless M-Bus modules are designed for use in Kamstrup's heat, cooling and combined heat/cooling meter MULTICAL® 402 and are available in 2 variants:

- Standard registers with focus on battery lifetime
- Alternative registers with focus on functionality

The modules automatically find the meter type in which they are installed and are ready for communication without further configuration within 16 seconds.

Even though the modules are designed for hand-held solutions, they are also prepared for forming part of network solutions such as a Radio Link Network.

## Technical data

---

Frequency	868.95 MHz (EU licence-free area 868-870 MHz)
Communication Standard	Wireless M-Bus, C mode, one-way communication EN13757-4:2013
Transmission interval	16 seconds
Transmission strength	10 mW
Battery lifetime	Up to 16 years
Range	
– internal antenna	Up to 200 m
– external antenna	Up to 500 m
Update interval (data)	Every 2 minutes

## Mechanical data

---

Dimensions (L X W x D)	64 x 42 x 12 mm
Temperature range	-40 °C...+ 70 °C

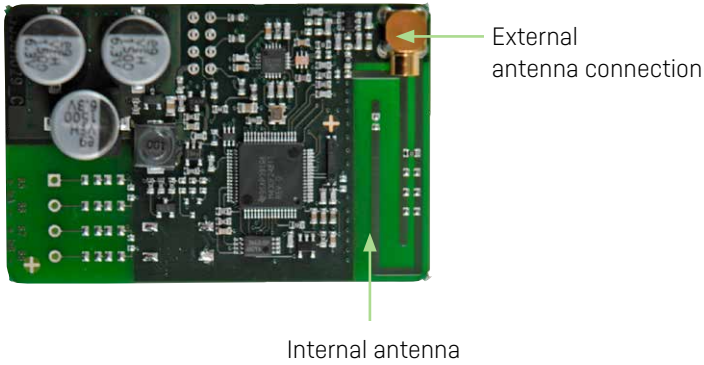
## Markings

---

R&TTE	EN300 220 – class 2 EN301 489, EN60 950, EN62 311
CE marked	

## Wireless M-Bus module, standard registers

### Module



### Data telegram

<b>Current data</b>	
Serial number	✓
Heat energy E1 and/or cooling energy E3	✓
Energy E8 m <sup>3</sup> x T1	✓
Energy E9 m <sup>3</sup> x T2	✓
Volume V1	✓
In A	
In B	
Flow	✓
T1	✓
T2	✓
Yearly max power	
TA2	
TA3	
Info code	✓
Operating hour counter	✓
Date	✓
<b>Monthly data</b>	
Heat energy E1 and/or cooling energy E3	✓
Volume V1	✓
In A	
In B	
Date	✓

## Ordering

### Description

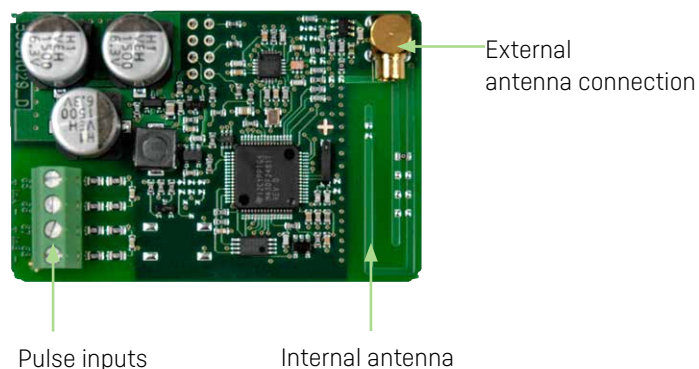
Wireless M-Bus module, standard registers  
 External antenna, mini triangle antenna, 2.5 m cable

### Type No.

4020**30**000000  
 6699 448

## Wireless M-Bus module, alternative registers

### Module



### Data telegram

Current data	
Serial number	✓
Heat energy E1 and/or cooling energy E3	✓
Energy E8 m <sup>3</sup> x T1	✓
Energy E9 m <sup>3</sup> x T2	✓
Volume V1	✓
In A	✓
In B	✓
Flow	✓
T1	✓
T2	✓
Yearly max power	
TA2	
TA3	
Info code	✓
Operating hour counter	✓
Date	✓
Monthly data	
Heat energy E1 and/or cooling energy E3	✓
Volume V1	✓
In A	✓
In B	✓
Date	✓

## Ordering

### Description

Wireless M-Bus module, alternative registers  
 External antenna, mini triangle antenna, 2.5 m cable

### Type No.

4020**35**000000  
 6699 448

### Kamstrup A/S

Industrivej 28, Stilling  
 DK-8660 Skanderborg  
 T: +45 89 93 10 00  
 F: +45 89 93 10 01  
 info@kamstrup.com  
 kamstrup.com