

Data sheet

## GSM8i 3G module

- 2G/3G module for fast and stable reading of the electricity meter
- Plug-and-play installation with clear information about the signal strength
- Status/pulse input
- SMS reading of meter and GSM signal strength
- Internal antenna



## Application

---

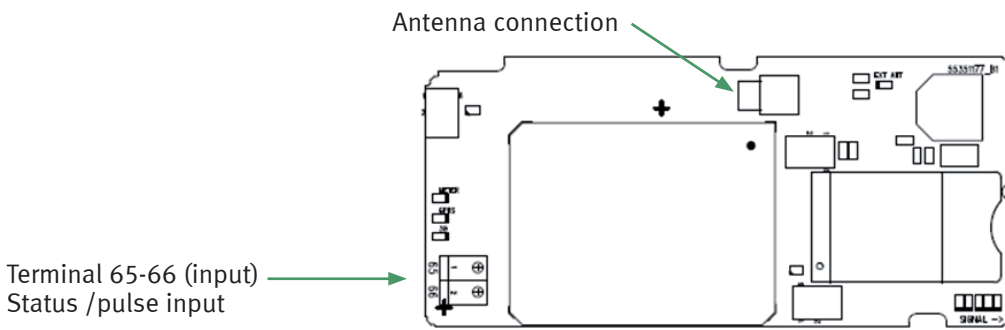
The GSM8i 3G module supports both 2G (GSM/GPRS), 3G (UMTS/HSPA) and SMS ensuring a fast and reliable connection to the metering point. The module is mounted in Kamstrup's direct electricity meters of type K and forward and in Kamstrup's CT meters of type B and forward.

The quality of the installation is ensured by means of informative Light Emitting Diodes (LEDs) indicating the signal strength. Likewise, the signal strength can be read by SMS making it possible to check installations in closed cabinets.

The module has an internal antenna, which is sufficient for most installations, but it also has a connector for the mounting of an external antenna in particularly demanding areas.

## Connection diagram

---



## Technical data

---

### Antenna

Triband PCB antenna with MCX connector for external connection

### 2G (GSM/GPRS/EDGE)

Dual-band 900-1800 MHz

Class 4 900 MHz, 2 W

Class 1 1800 MHz, 1 W

GPRS Class 12, class B

EDGE Class E2, 900 MHz, 0.5 W

EDGE Class E2, 1800 MHz, 0.4 W

## Technical data

---

### 3G (UMTS/HSPA)

Dual-band 900-2100 MHz

Class 4 900 MHz, 2 W

Class 3 2100 MHz, 0.25 W

### Electrical data

Supply From the electricity meter

Power consumption

– idle < 0.35 W

– transmission < 2 W

### Status / pulse input (isolated switch)

### Mechanical data

Dimension (wxhxd) 41x20x93 mm

Temperature, storage -40 °C - +85 °C

Temperature, operation -40 °C - +85 °C

Relative humidity < 95%, non-condensing

Mounting In the module area of the electricity meter

Density IP51 when mounted in electricity meter

### Marking/approvals

CE marking

RoHS directive

EN 61000-6-1 EMC directive

EN 61000-6-2 EMC directive

EN 61000-6-3/A1 EMC directive

EN 61000-6-4/A1 EMC directive

EN 301 489-1/52 General EMC and ERM requirements for radio equipment/ Specific EMC and ERM requirements for GSM and E-UTRA

EN 301 511 RED. Specific requirements for GSM

EN 301 908-1/13 RED. General requirements for IMT cellular radio network/Radio equipment directive: Specific requirements for E-UTRA

EN 62368-1 Security requirements

EN 62311 Assessment of electronic and electrical equipment related to human exposure restrictions for electromagnetic fields

TA-2012/187 + TA-2012/188 ICASA, South Africa

## Ordering

---

### Description

Single module  
In meter

### Type No.

6817xxxxxxx (top number 681xxxxxxx)  
6850053.3

---

### Kamstrup A/S

Industrivej 28, Stilling  
DK-8660 Skanderborg  
T: +45 89 93 10 00  
F: +45 89 93 10 01  
info@kamstrup.com  
kamstrup.com