

Installation manual

• —————  
**OMNIPOWER – single-phase  
with integrated 2G modem**



## Installation manual

---

Connect the meter in accordance with the installation diagram on the meter's type label. Depending on the configuration, a fixed value is displayed, or the display changes between selected indications every 10 seconds.

It is possible to change the display reading manually by activating the push button on the meter. The available readings depend on the meter's configuration.

### **Security and installation guidelines**

The meter is only to be used for measuring electrical energy and shall operate within the specified values only.

The meter must be disconnected when working on it. It can be highly dangerous to touch the meter parts when the meter is switched on.

Therefore, the relevant security fuse must be removed and kept in a place where it cannot be inserted by unauthorized persons.

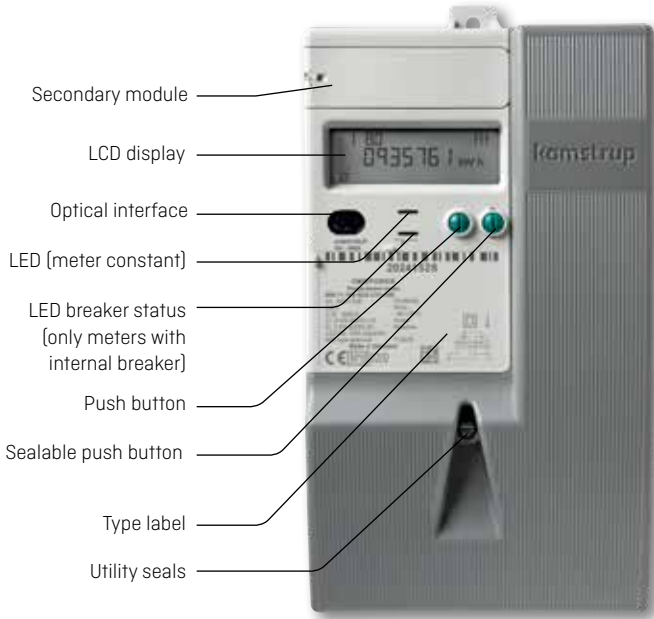
Current local standards, guidelines, regulations and instructions must be observed. Only authorized personnel is permitted to install electricity meters.

Meters for direct connection must be protected against short circuit by a security fuse in accordance with the maximum current stated on the meter.

Failing to obey the "Guidelines for safety and installation", the guarantee no longer applies.

## Installation manual

---



The meter constant LED blinks proportionally to the consumed active energy. Only authorized personnel may break the utility sealing.

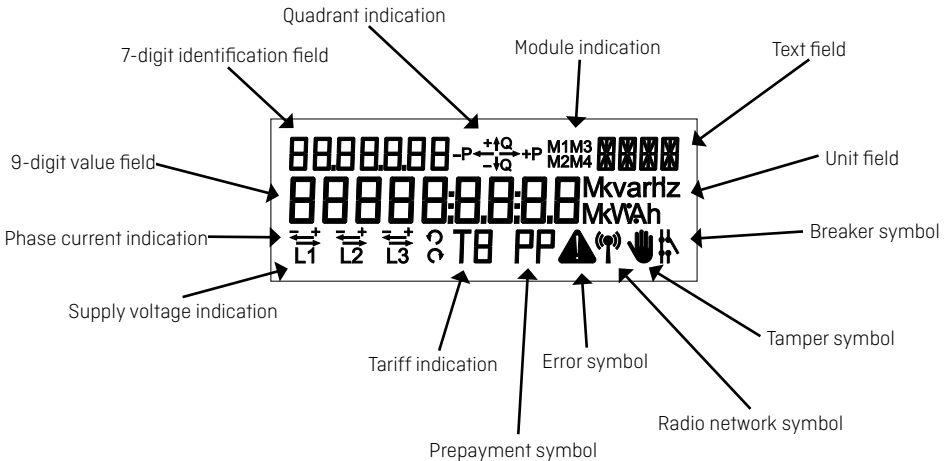
# Installation manual

The phase indications have various functions. They indicate the two situations described below.

**From the connection of the meter:**

Indications	L1	Indicate
On		Voltage is above minimum limit (160V)
Off		Voltage is below minimum limit (160V)
Indications	$\rightleftarrows^+$	Indicate
On		Load is above minimum limit (2.3W)
Off		Load is below minimum limit (2.3W)

If the load exceeds the minimum limit and the meter is configured with this reading, consumption will be indicated via the quadrant reading. The direction of the phase current is also indicated by the arrow of L1, regardless of configuration.



# Installation manual

---

## **Integrated Auxiliary relay**

OMNIPOWER® single-phase meter has an integrated auxiliary relay to be used e.g. for controlling the supply to external equipment. The relay is specified for a switching current of 2A. See also connection diagram under "Installation".

## **With integrated 2G modem**

The meter is supplied with integrated 2G modem for establishment of remote reading. The meter therefore automatically starts to connect to a radio network. The integrated 2G modem is equipped with an internal antenna. The signal strength can be read via the system. If the signal is not sufficient, an external antenna must be connected.

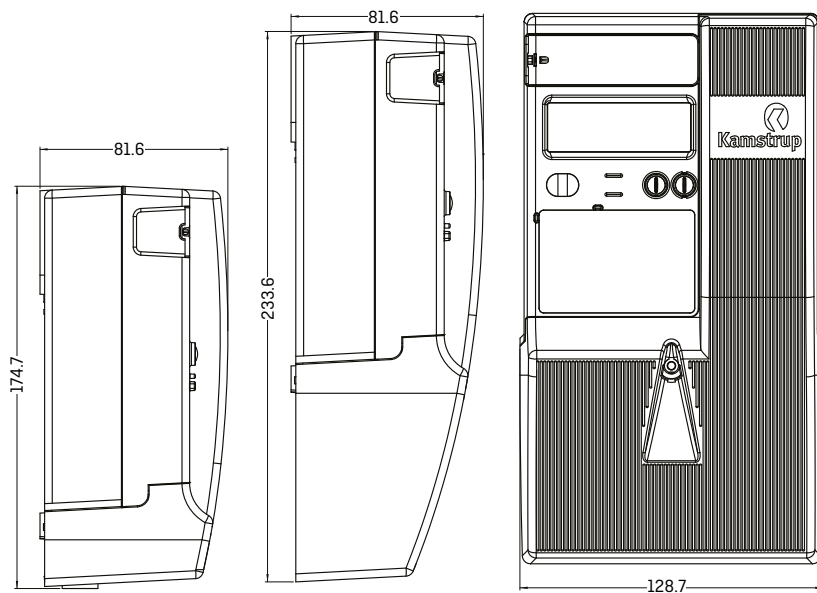
## **With integrated supply switch**

With this type of meter, it must be checked that the red diode is switched off. If the red diode is on, this indicates that the consumer's supply is disconnected.

# Installation manual

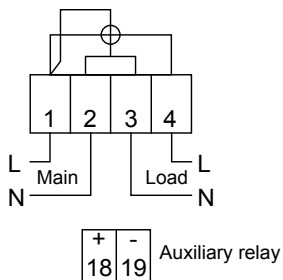
---

## Installation dimensions



## Connection diagrams

The valid connection diagram appears from the type label.





OMNIPower – single phase with integrated 2G modem