

Data sheet for version 4.8.x.x

USB Meter Reader

For reading Kamstrup's consumption meters

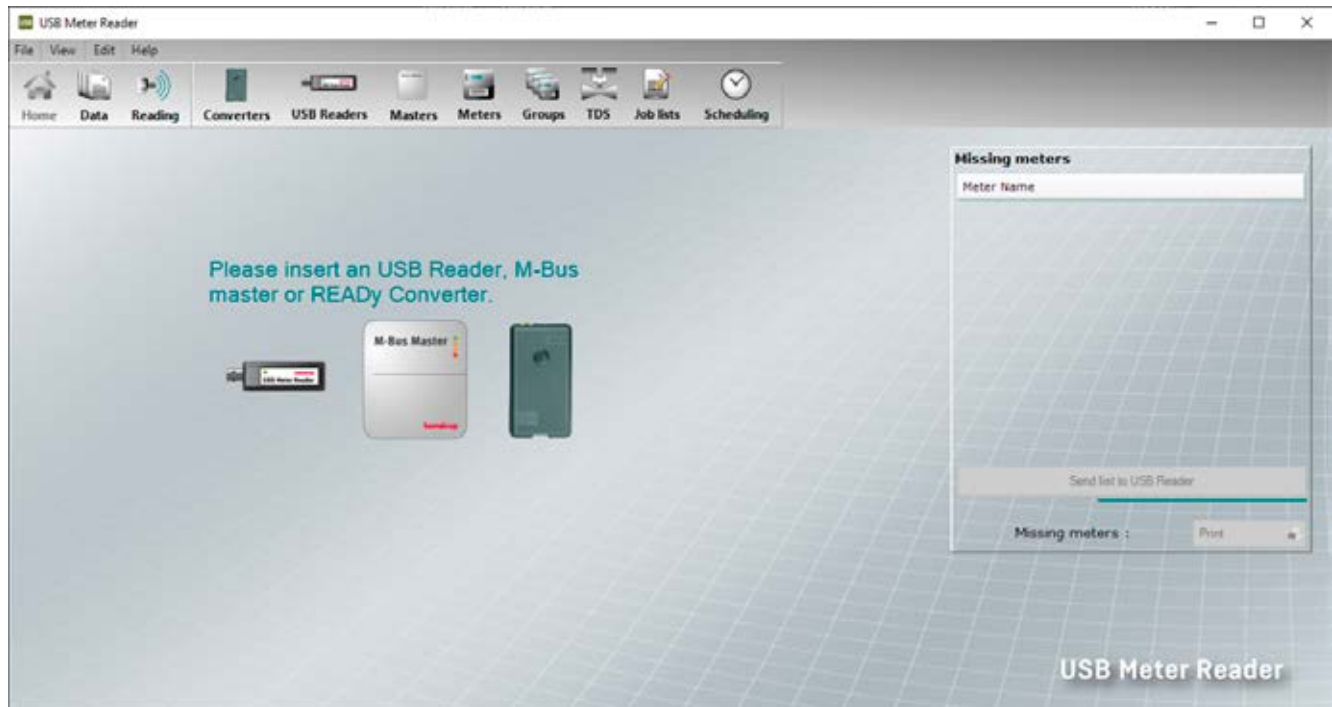
- PC-based software for reading Kamstrup's consumption meters
- Reading of Wireless M-Bus via hand-held unit
- Reading of M-Bus via M-Bus Master
- Disconnection of bad payers via Thermal Disconnect
- Up to 4,000 meters per PC



Application

USB Meter Reader is a PC program that can be used for reading Kamstrup's meters with Wireless M-Bus, wired M-Bus and KM-RF 434 MHz. The program can be downloaded for free from Kamstrup's website www.apps.kamstrup.com by using your My Kamstrup login.

Home view in USB Meter Reader



Preconditions

The program requires at least Windows® 10 and can be used together with both PC and tablet. For connecting the hand-held reading unit READy Converter, it is necessary to have either activated Bluetooth® or an available USB port. To install and run the program, it is necessary to provide the program with local administrator permissions.

Reading of Wireless M-Bus meters

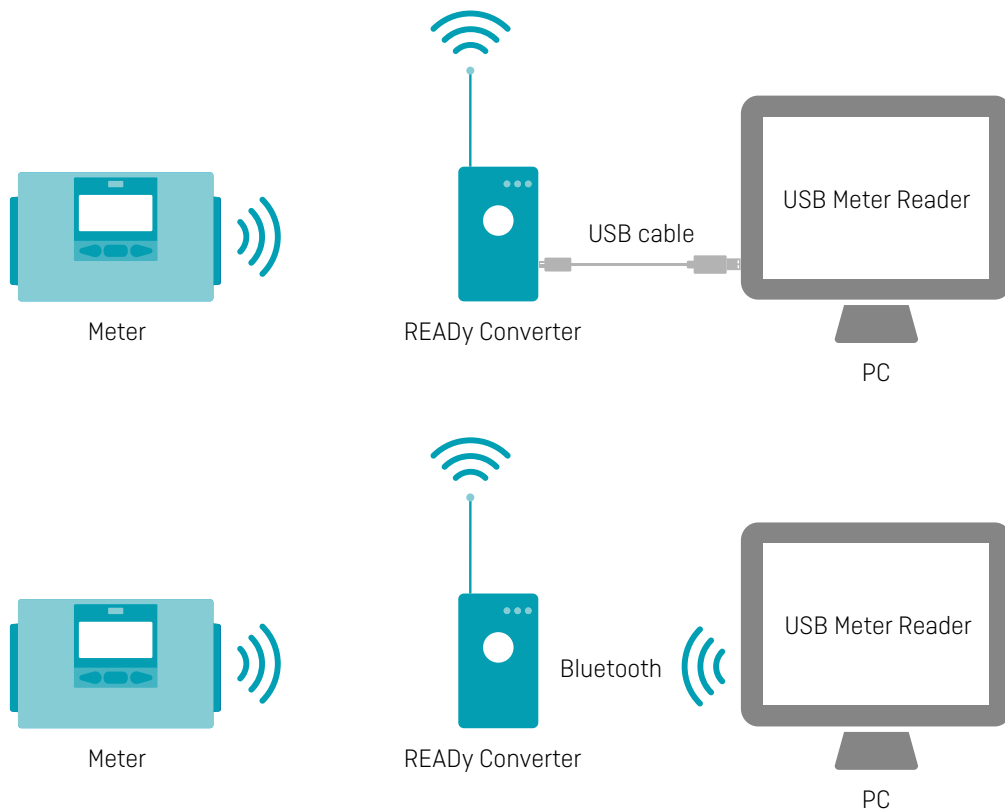
To read meters with Wireless M-Bus, READY Converter Basic is required. Only meters with the EU frequency 868.95 MHz are supported.

Reading with READY Converter connected to a PC via Bluetooth® or USB cable

In these modes, readings are made directly from the program and it is possible to see a list of the meters that have been read. It is possible to create a reading job and group meters to make the reading manageable. It is also possible to read a single meter at a time if a reading is missing.

List of meters that were not read

Info	Meter read	Name	Number	Manuf. ID	Device type	Receive time
↓		Kamstrup Road 1	80441335	KAM	Heat outlet	30-05-2022 13:20:42
↓		Kamstrup Road 2	80441336	KAM	Heat/Cooling	30-05-2022 13:20:42
↓		Kamstrup Road 3	80441337	KAM	Warm water	30-05-2022 13:20:42
↓		Kamstrup Road 4	80441338	KAM	Heat outlet	30-05-2022 13:20:42
↓		Kamstrup Road 5	80441344	KAM	Cooling outlet	30-05-2022 13:20:42
↓		Kamstrup Road 6	80441345	KAM	Heat/Cooling	30-05-2022 13:20:42
↓		Kamstrup Road 7	80441347	KAM	Heat outlet	30-05-2022 13:20:42
↓		Kamstrup Road 8	80441348	KAM	Heat/Cooling	30-05-2022 13:20:42
↓		Kamstrup Road 9	80441351	KAM	Heat/Cooling	30-05-2022 13:20:42



Reading without connection to PC in standalone mode

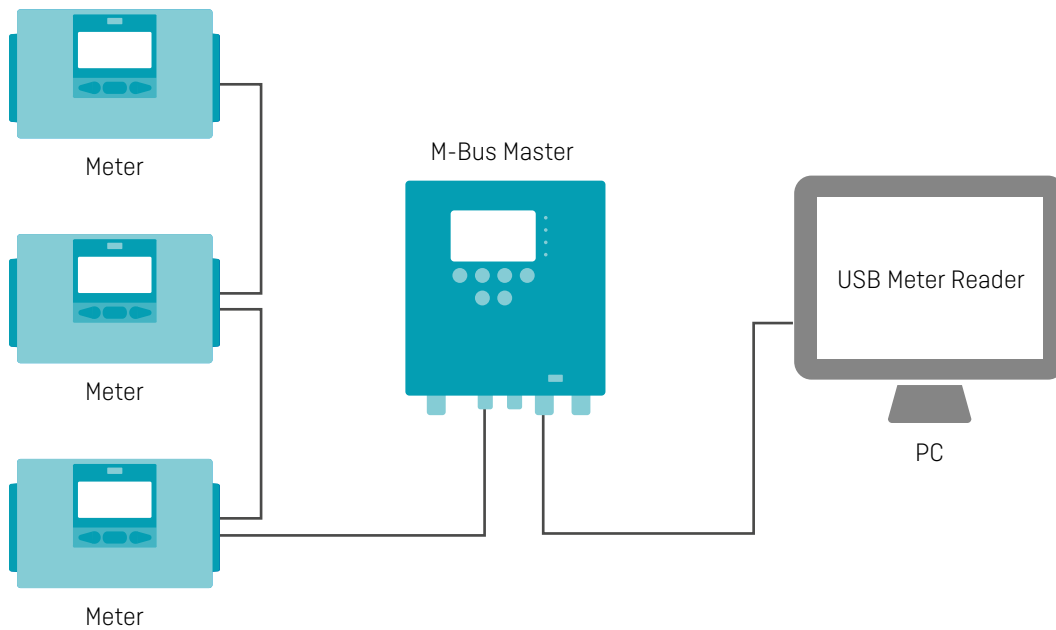
In the standalone mode, it is possible to read meters without connecting to a PC, which makes it easy to read when walking by as it does not require that you carry around your PC.

By creating a reading job and downloading it to READY Converter via Bluetooth® or USB cable, the connection to the unit can be subsequently disconnected. Then, it is possible through LED diodes on READY Converter to see the status of the reading. When the job has been started, the diodes flash quickly and when all meters in the reading job have been read, the diodes flash slowly.



Reading of M-Bus meters via M-Bus Master

To read meters via M-Bus, a licence as well as an M-Bus Master connected to the meters to be read are required. USB Meter Reader supports Kamstrup's multiport that can be connected via USB or the Network COM Port. To connect via the Network COM Port, a third-party serial port server connected between the M-Bus Master and the network is required.



Visualisation and export of data

After completing the reading, it is possible to see and export the data in the program. To export reading data, a standard export format is available for exporting to CSV, TXT, PDF, XML and XLS. Advanced export requires a licence.

The screenshot shows the USB Meter Reader application window. The interface includes a menu bar (File, View, Edit, Help), a toolbar with icons for Home, Data, Reading, Converters, USB Readers, Masters, Meters, Groups, TDS, Job lists, Scheduling, Export, and Print. On the left, there are sections for Views (List view, Detail view), Show only (a search box), and Navigation (play, stop, refresh buttons). Below these is a small image of a USB meter device. The main area displays a table with the following data:

Name	Number	Receive time	Manuf. ID	Volume - V1	Energy - E1	Pulse A	Pulse B	Device type	Energy
Kamstrup Road 1	80441335	30-05-2022 13:20:42	KAM	26624.68 m³	2546437 kWh			Heat outlet	
Kamstrup Road 2	80441336	30-05-2022 13:20:42	KAM	5325.087 m³	393018.5 kWh			Heat/Cooling	0 kWh
Kamstrup Road 3	80441337	30-05-2022 13:20:42	KAM	35719.509 m³				Warm water	
Kamstrup Road 4	80441338	30-05-2022 13:20:42	KAM	706207 m³	246587 GJ			Heat outlet	
Kamstrup Road 5	80441344	30-05-2022 13:20:42	KAM	707304.7 m³				Cooling outlet	
Kamstrup Road 6	80441345	30-05-2022 13:20:42	KAM	154797 m³	14751.55 MWh	0 m³	0 m³	Heat/Cooling	0 MWh
Kamstrup Road 7	80441347	30-05-2022 13:20:42	KAM	3556966 m³	246594.1 MWh			Heat outlet	
Kamstrup Road 8	80441348	30-05-2022 13:20:42	KAM	3546375.7 m³	8095988.5 GJ	0 m³	0 m³	Heat/Cooling	0 GJ
Kamstrup Road 9	80441351	30-05-2022 13:20:42	KAM	3332673.1 m³	7956339.4 GJ			Heat/Cooling	0 GJ

Planned reading

With the function Planned reading, it is possible to automatically start a reading job in a predefined interval. Readings can be performed automatically once a month with an interval of as low as 1 minute. The function can be used for both READY Converter and M-Bus Master.

Licensed functions

USB Meter Reader is free for up to 800 meters in the program and for Wireless M-Bus reading. If extended functions or more meters are required, a licence must be purchased.

Number of meters

A licence for more than 800 metering points can be purchased for the following intervals: 1600, 2400, 3200, 4000.

M-Bus Master

To read via M-Bus, a licence for M-Bus Master is required.

Configurable import and export formats

With the configurable import format, master data such as customer addresses can be imported and connected with the meter numbers, thus avoiding the manual entry of addresses.

With the configurable export format, individual formats can be configured and with the flexible user interface, the data export can be limited to contain required data only.

Thermal Disconnect

With the Thermal Disconnect (TDS) function, a TDS valve connected to MULTICAL® 403, MULTICAL® 603 or MULTICAL® 803 can be closed. The function can be used for disconnecting a bad payer or in a prepayment system. The function only works via M-Bus Master.

Supported meter types

Wireless M-Bus mode C1	KM-RF 434Mhz	M-Bus
flowIQ® 21xx	MULTICAL® Compact	MULTICAL® 302
flowIQ® 31xx	MULTICAL® 401	MULTICAL® 303
MULTICAL® 21	MULTICAL® 402	MULTICAL® 402 M-Bus modules: • 402020 • 402021
MULTICAL® 61	MULTICAL® III	MULTICAL® 403
MULTICAL® 62	MULTICAL® 66	MULTICAL® 61/62/601/602/801 M-Bus modules: • 670020 • 670027- 6707
MULTICAL® 302	MULTICAL® 601	MULTICAL® 602 M-Bus module: • 670028
MULTICAL® 303	MULTICAL® 602	MULTICAL® 603
MULTICAL® 402	MULTICAL® 801	MULTICAL® 803
MULTICAL® 403	MULTICAL® 803	
MULTICAL® 601	MULTICAL® 41	
MULTICAL® 602	MULTICAL® 61	
MULTICAL® 603	MULTICAL® 62	
MULTICAL® 801	Kamstrup 162 with KM RF ver. 1.0	
MULTICAL® 803	Kamstrup 382 with KM RF ver. 1.0	
OMNIPOWER®	Kamstrup 351 with KM RF ver. 1.0	
Carlo Gavazzi EM24		

Ordering details

Product

USB Meter Reader PC software

Licence for metering points:

1,600

2,400

3,200

4,000

Licence for advanced import/export

Licence for reading M-Bus Master

Licence for Thermal Disconnect

READy Converter Basic 868,95 MHz

M-Bus Master:

MultiPort 250L

MultiPort 250D

USB cable for master

Order number

www.apps.kamstrup.com

USB-PCSW0020

USB-PCSW0030

USB-PCSW0040

USB-PCSW0050

USB-PCSW0060

USB-PCSW0090

USB-PCSW0110

6696-50010

MBM-M200000

MBM-M210000

6699-336

Local Sales & Support:

Kamstrup Middle East FZC

Dubai Outsource City, Building 8

Office 205 P.O. BOX 345040

Dubai, United Arab Emirates

T: +971 4 453 7337

dubai@kamstrup.com

kamstrup.com

Headquarters:

Kamstrup A/S

Industrivej 28, Stilling

DK-8660 Skanderborg

T: +45 89 93 10 00

F: +45 89 93 10 01

info@kamstrup.com

kamstrup.com