

Data sheet

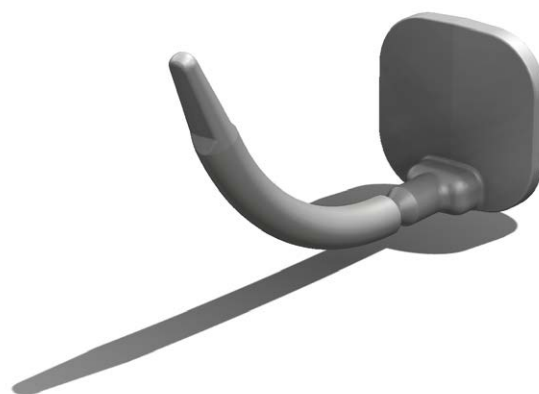
OMNIPOWER® Pin Seal



OMNIPOWER® Pin Seal 5920 400

The pin seal 5920-400 is used for OMNIPOWER® meters when sealing push button 2 and the CCC module, it is a pin seal and it is secured after mounting by deformation of the pin.

5920-400 is not suitable for sealing of the terminal cover.

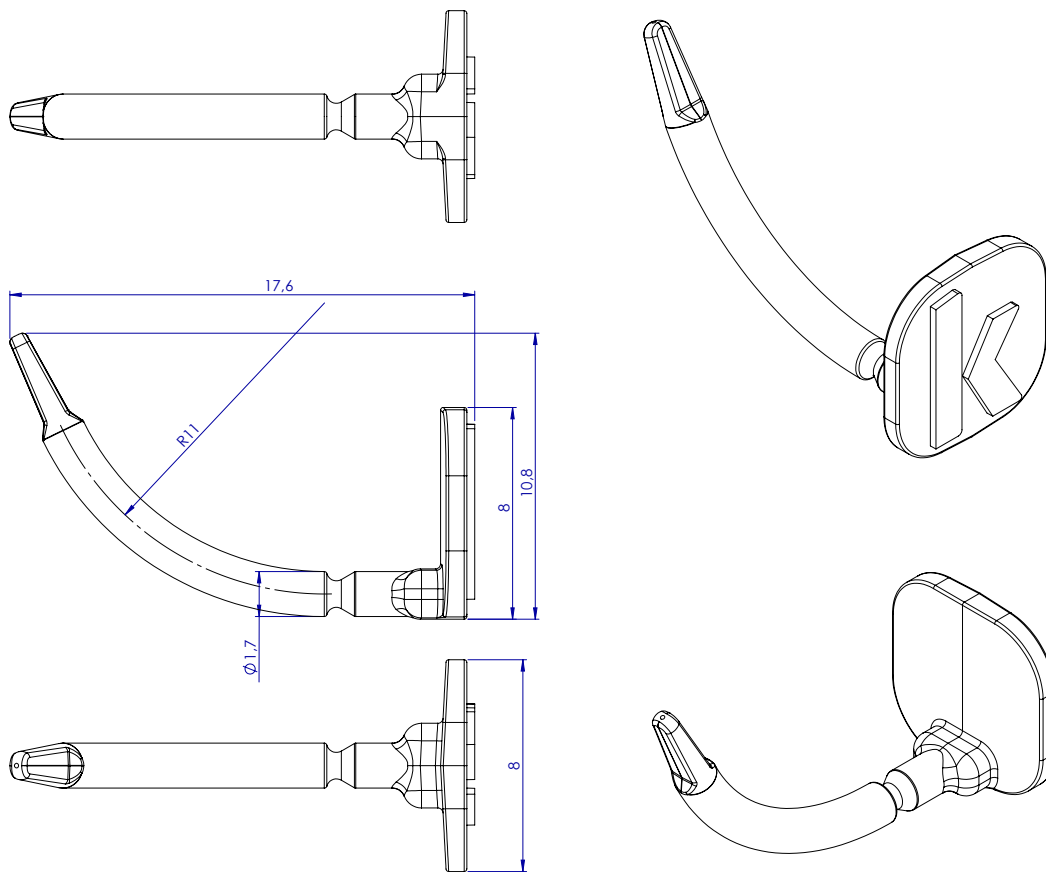


Application	OMNIPOWER® <ul style="list-style-type: none">• Push button 2• CCC module
Dimension [mm]	Outer: 8 x 18 x 11 Pin: \varnothing 1,7 x 19
Material	ASA
Temperature range	-40°C to 85°C
Colour	Black
Sealing method	Deformation
Features	<ul style="list-style-type: none">• High safety• One piece seal• Curved design for smooth assembly• KAMSTRUP logo [K]

Application



Drawings



*

Kamstrup A/S

Industrivej 28, Stilling
DK-8660 Skanderborg
T: +45 89 93 10 00
F: +45 89 93 10 01
info@kamstrup.com
kamstrup.com