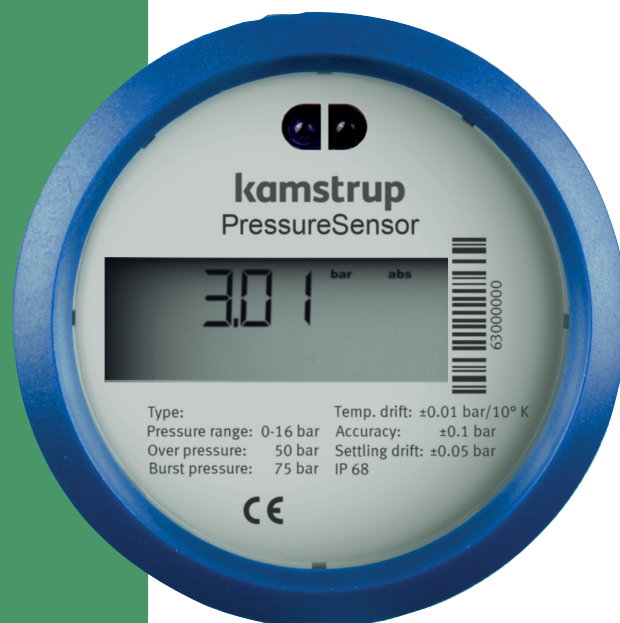


Data sheet

Kamstrup PressureSensor

- Prolong the life of your distribution system
- Reduce leakage losses
- Save energy
- Identify supply performance



Description

With detailed knowledge about the harmful pressure shocks as well as as the network pressure in general, you can optimise the pressure and thereby ensure customer satisfaction, reduce the number of leakages and bursts and minimise the energy consumption of the pumps.

With two pressure sensors it is possible to get information regarding your differential pressure in district energy networks as well as to indicate your supply performance and provide knowledge on actual pressure states.

Kamstrup PressureSensor is equipped with radio for remote data reading.

Range

Kamstrup PressureSensor is equipped with a strong long-range antenna which sends out a wide range radio signal with intelligent coding to the network. Kamstrup PressureSensor comes with integral data communication for wireless M-Bus.

Installation

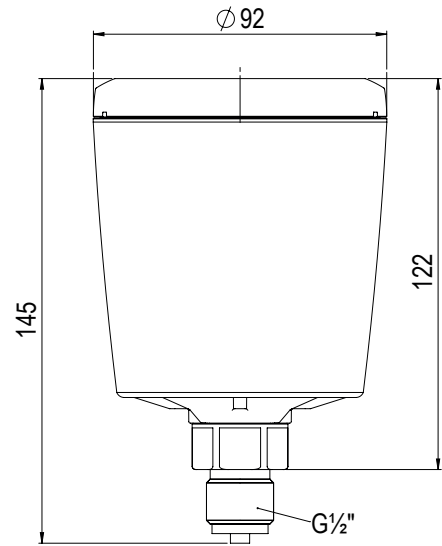
Kamstrup PressureSensor is watertight, IP68 type tested and, therefore, suitable for installation in meter wells too. It is easily installed by means of a t-part. The nipple is G½".

When installed in a district energy network it is necessary to install a hydraulic hose between the pipe and the pressure sensor to ensure the allowed media temperature on the sensor.

When installing the pressure sensor in both water and district energy networks it is important to ensure that the installation fully ventilated and no air is present when the valve to the pressure sensor is opened.

Measuring speed

Kamstrup PressureSensor measures with 10 Hz, i.e. 10 times per second. The short intervals between the readings are necessary in order to pick up pressure shocks. In addition to the information about pressure shocks, you get a precise measurement of the pressure and its variation over time.



Technical data

	Bar	PSI	hPa
Measuring range	0-16	0-232	0-16000
Max overpressure	50	725	50000
Burst pressure	75	1088	75000
Accuracy	+/-0.1	+/-1.5	+/-300
Temperature sensitivity	+/- 0.01 / 10 °C	+/- 0.15 / 10 °C	+/- 10 / 10 °C
Storage temperature		-20 ... 55 °C	
Ambient temperature		2 ... 55 °C	
Temperature of medium*		0 ... 40 °C	
Protection class		IP68	

*When installed in district energy network ensure correct media temperature by installation of a hydraulic hose between sensor and pipe connection point.

Kamstrup PressureSensor is powered by replaceable lithium batteries with 6 years' lifetime.

Battery change

The correct battery package from Kamstrup which is designed for Kamstrup PressureSensor must be used. All necessary equipment for the battery replacement is available in the battery package. The battery replacement can be carried out while the pressure sensor is installed.

The voltage on the batteries is max 3.67 V [2 D-cells].

Order number of battery package: 6699031.

Drinking water approval

Kamstrup PressureSensor has the “Approved for drinking water” mark (the drop-mark) and is thus approved for use for drinking water.

Info codes

Drop

The pressure has dropped unexpectedly compared to the current average pressure. The limit varies over time based on calculations of the pressure variation.

Surge

The pressure has surged unexpectedly compared to the current average pressure. The limit varies over time based on calculations of the pressure variation.

High

The current average pressure increases to a configurable limit. The default setting is 15 bar.

Low

The current average pressure drops to a configurable limit. The default setting is 1.5 bar.

Transient

The pressure changes rapidly over short periods of time. The limit varies over time based on calculations of the pressure variation.

Comm. error

The pressure sensor is unable to communicate. This can either be caused by an error in the communication to the radio part or a measurement error.

All metering data is based on highly soluble sampling.

Order information

Kamstrup PressureSensor	Type 6694	<input type="checkbox"/>	<input type="checkbox"/>	<input type="checkbox"/>	<input type="checkbox"/>	<input type="checkbox"/>	<input type="checkbox"/>
Communication	Wireless M-Bus, Mode C1	46					
Supply	Battery		D				
Gland	G½"			0			
Meter type	Pressure cold					8	
Country code							XX

Configuration

Kamstrup PressureSensor	Type 6694	<input type="checkbox"/>	<input type="checkbox"/>	<input type="checkbox"/>	<input type="checkbox"/>	<input type="checkbox"/>	<input type="checkbox"/>
Unit							
Bar		1					
PSI		2					
hPa		3					
Display							
On			1				
Absolute/relative							
Absolute				1			
Low [mbar]							
1,500*						1	
2,000						2	
2,500						3	
3,000						4	
3,500						5	
4,000						6	
High [mbar]							
5,000							1
7,000							2
9,000							3
11,000							4
13,000							5
15,000*							6
Encryption level							
No encryption							0
Utility encryption (available on selected markets only)							2
Encryption with separately forwarded key							3
Default if not otherwise specified on placement of order		1	1	1	1	6	3

* Can only be purchased with these predefined values.
 If one of the other values is requested, this must be configured subsequently by means of METERTOOL.