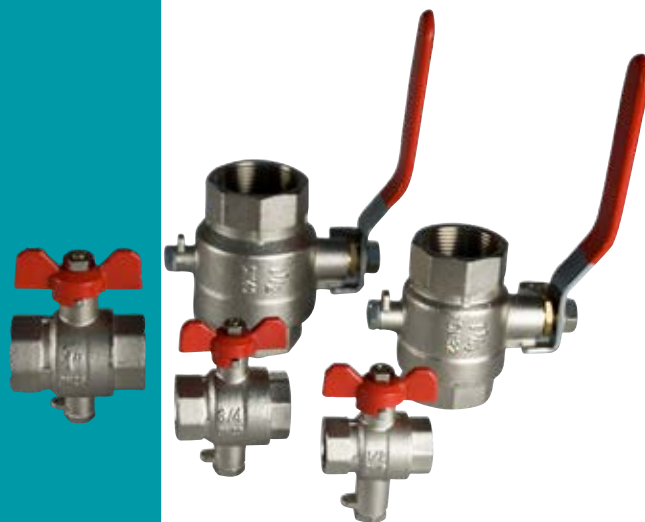


Data sheet

Ball valve

with M10x1 sensor socket

- Service-friendly sensor replacement
- Long lifetime with teflon gaskets
- Range from DN15 to DN40
- Temperature of medium up to 150°C
- Prepared for sealing of sensor

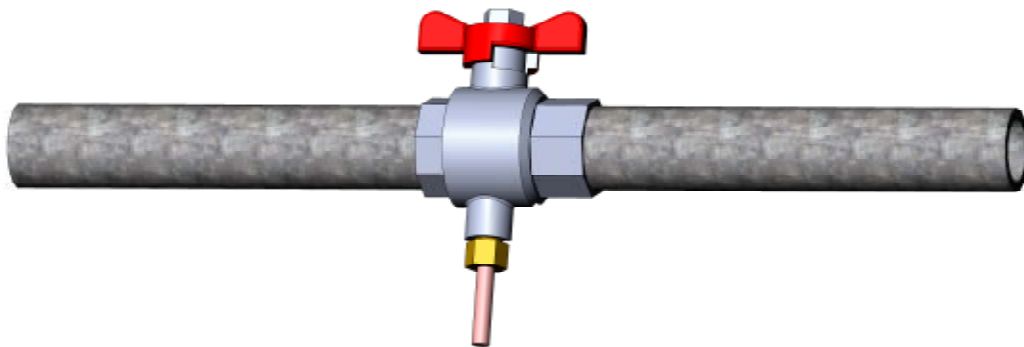


Application

Ball valves with M10x1 sensor sockets are suitable for installation of direct temperature sensors with M10x1 thread. When building one of the temperature sensors into the flow meter, it may be of advantage to use a ball valve for the installation of the other temperature sensor.

When the ball valve is in closed position, the temperature sensor can be replaced almost without water waste.

Installation

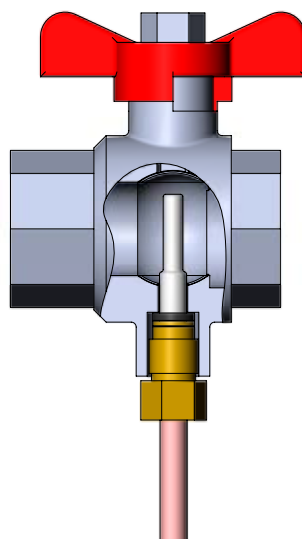


The ball valve is as far as possible installed as shown in the illustration.

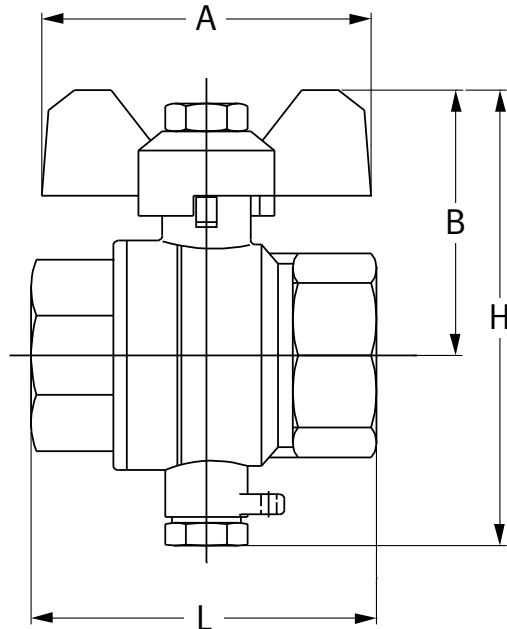
When the ball valve has been mounted on one pipe and tightened, firmly hold to counterbalance when screwing on the other side of the pipe. If the valve is not held firmly, it may rotate with the pipe, causing it to be overtightened and possibly breaking the gasket on the other side. Do not squeeze the valve during installation.

In case of cooling measurement, the ball valve should always be installed as shown by which you limit any problems with penetration of condensation in the temperature sensor.

Installation of the temperature sensor in a ball valve ensures an optimal position in the liquid flow and thus contributes to a correct measurement of energy.



Dimensional sketch



Type numbers

Type No.	65-56-570	65-56-571	65-56-572	65-56-526	65-56-527
Connection thread	G½	G¾	G1	G1¼	G1½
DN [mm]	15	20	25	32	40
L [mm]	48	54	65	87	98
A [mm]	56	56	72	130	130
B [mm]	39	42	53	71	77
H [mm]	76	79	92	117	128
Width across flats [mm]	25	31	38	48	54
Weight [g]	188	260	429	946	1308
Coupling between ball valve and flow sensor	R½ - G¾	R¾ - G1	R1 - G5/4	R1¼ - G1½	R1½ - G2
Recommended temperature sensor	DS 27.5 mm	DS 27.5 mm	DS 27.5 mm	DS 38 mm	DS 38 mm

Ball valve

Technical data

Temperature of medium	0...150°C
Medium	District heating water and cooling water, glycol
Pressure stage	PN16
Connection	Internal thread according to DS/DIN/ISO 228
Material	Brass, MS 58
Surface, case	Nickel-plated
Surface, ball	Chromium-plated
Internal gaskets	PTFE (Teflon)



Kamstrup A/S

Industrivej 28, Stilling
DK-8660 Skanderborg
T: +45 89 93 10 00
info@kamstrup.com
kamstrup.com