

Kamstrup M-Bus Master Controller

Product presentation

•

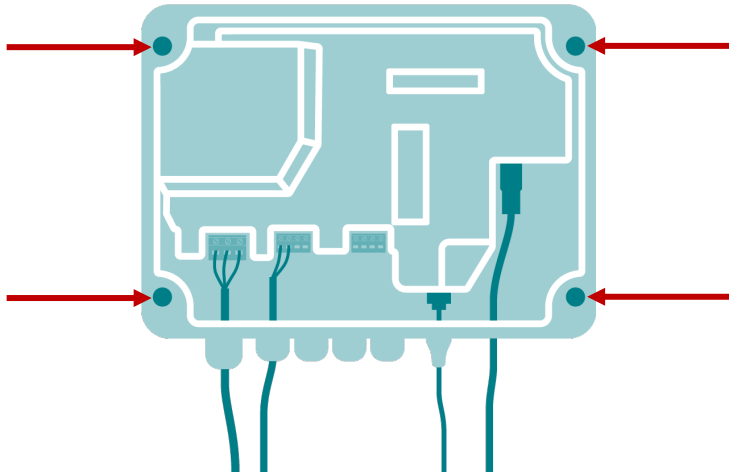
Introducing the new M-Bus Master Controller



- Easy and smart installation
- Efficient and secure operations
- Designed to meet tomorrow's demands

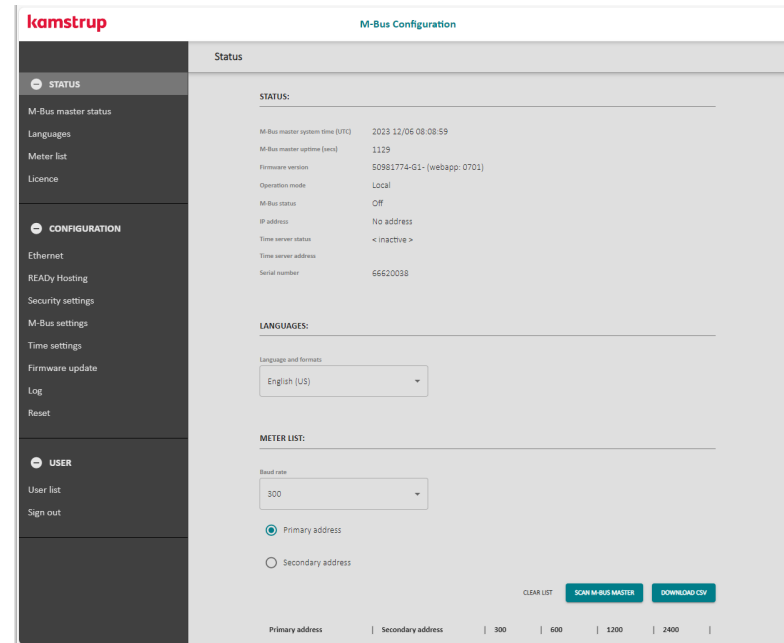
Easy and smart installation

Smart wall mounting system
No need for DIN rails



Smart USB setup menu

Possible to make csv file with installed meters
to document commissioning of meters



Efficient and secure operations



Supports up to 250 meters and all M-Bus addressing modes



Automatic continuous reading of meters



Data storage with hosted READY



Local reading using USB connection is possible

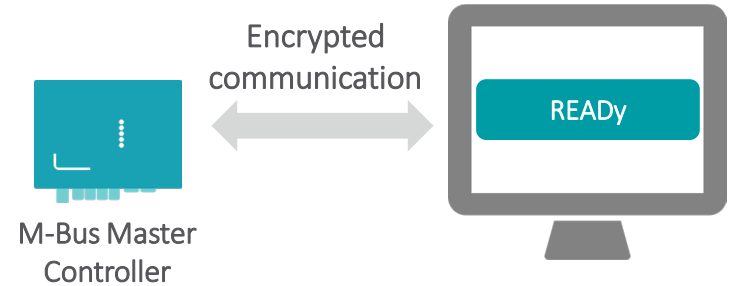


Precise time through synchronization with trusted Kamstrup time server



Efficient and secure operations

- LAN** Selectable encrypted LAN communication
- TLS** Communication between the M-Bus Master Controller and READy uses protected TLS connections
- GDPR** GDPR compliant
- IP54** Rugged alu box with IP54 protects against tampering and moist



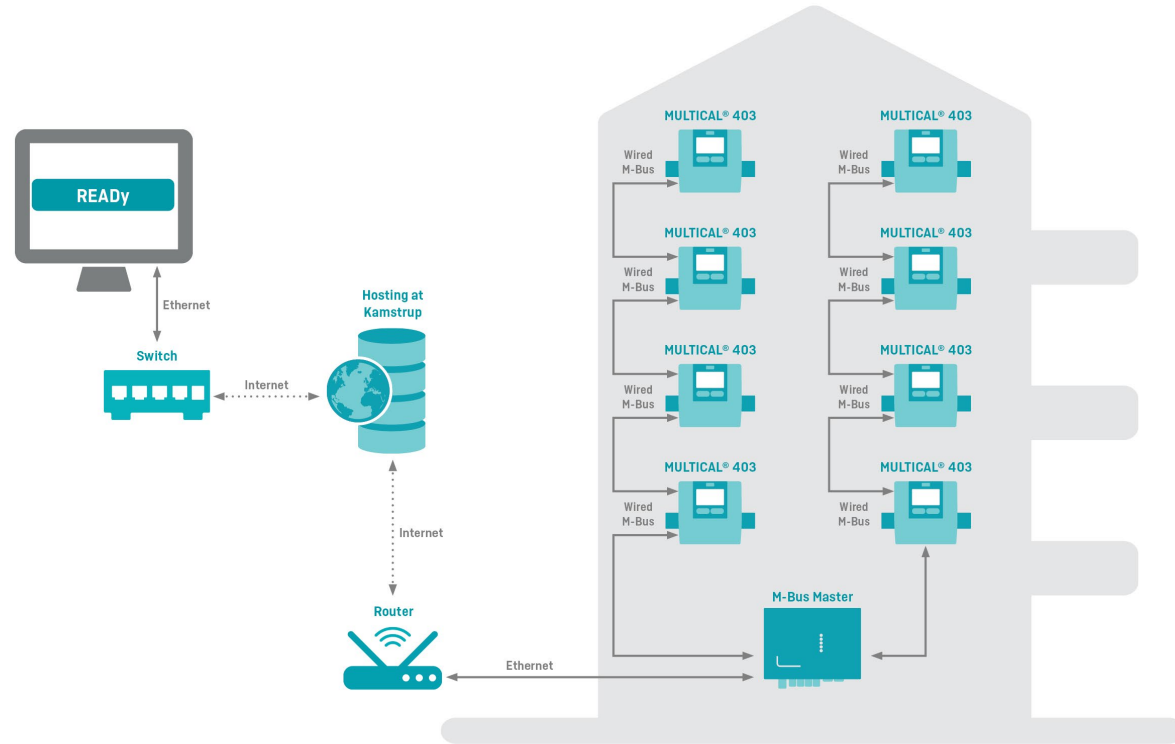
Supported reading systems

Kamstrup

- Local READy
- Hosted READy (from August 2024)
- USB Meter Reader

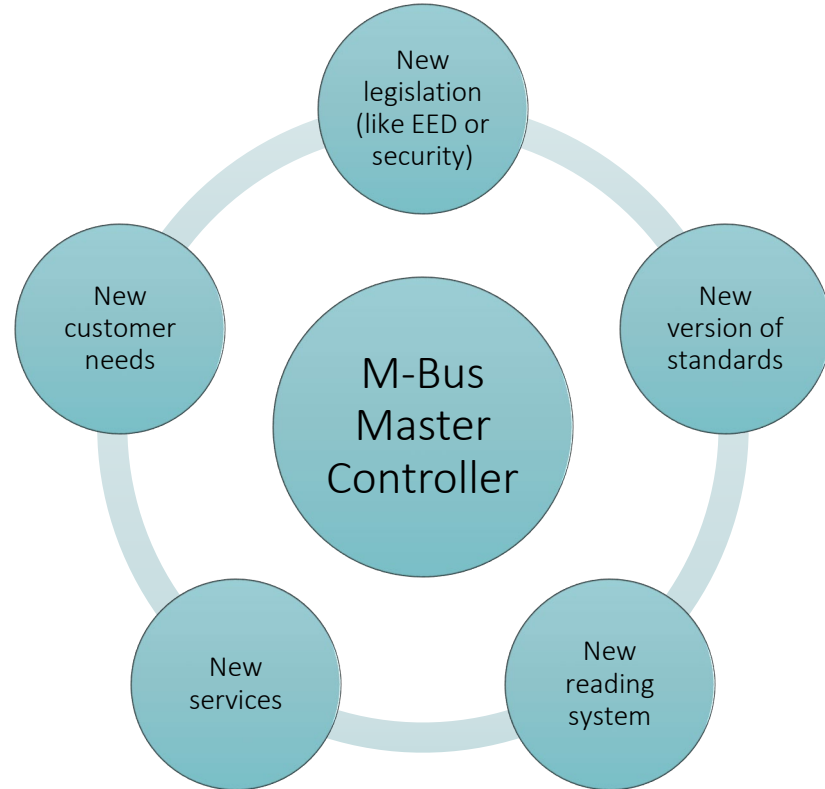
3rd party reading systems

- MBSheet
- More to come...



Designed to meet tomorrow's demands

Remote firmware updates keeps the M-Bus Master Controller being up to date as new preferences and demands arise



Thank you for the attention



Mads Wraa Hyttel
Commercial Product Manager